

A REMOTE METER GIVES THE CUSTOMER THE OPTION TO PLACE THE ELECTRIC METER IN A LOCATION OTHER THAN ON THE HOUSE. PLEASE CONSIDER THESE FACTORS BEFORE CHOOSING THIS OPTION:

- REMOTE METERS MUST BE PLACED WITHIN 20' OF AN EXISTING YVEA TRANSFORMER OR PEDESTAL
- METER TO FACE ROAD OR DRIVE WITH NO OBSTRUCTIONS.
- THE CUSTOMER IS RESPONSIBLE FOR THE CONSTRUCTION AND MAINTENANCE OF THE REMOTE METER STRUCTURE. YVEA WILL NOT MAKE ANY REPAIRS TO A CUSTOMER BUILT AND OWNED REMOTE METER STRUCTURE.
- THE CUSTOMER IS RESPONSIBLE FOR THE CONSTRUCTION AND MAINTENANCE OF ALL ELECTRICAL EQUIPMENT BEGINNING AT THE LOAD SIDE OF THE REMOTE METER. YVEA WILL NOT REPAIR ANY FAILED CABLE BETWEEN THE REMOTE METER AND THE CUSTOMER'S RESIDENCE.

2' MINIMUM WIDTH  
(CUSTOMER EQUIPMENT MAY REQUIRE LARGER WIDTH)

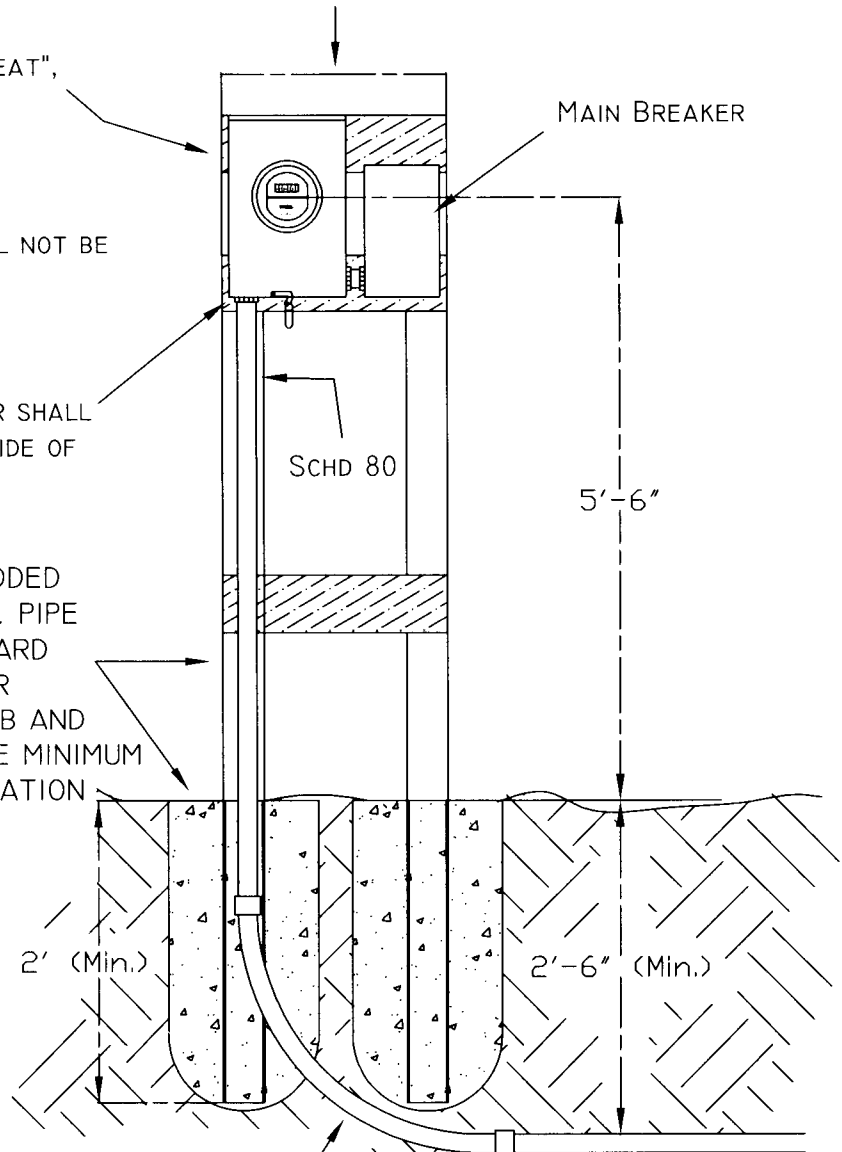
CROSS MEMBERS SHALL BE 2x4 (MINIMUM) "GREEN-TREAT", CEDAR, OR REDWOOD.  
- OR - GALVANIZED UNISTRUT

PLYWOOD OF ANY KIND WILL NOT BE ACCEPTED.

NOTE: UNDERGROUND RISER SHALL GO INTO THE LEFT HAND SIDE OF THE METER CAN.

POST SHALL BE CONCRETE EMBEDDED 4" GALV. RIGID CONDUIT, 4" GALV. PIPE OR ANY GALVANIZED ANSI-STANDARD STEEL CHANNEL NOMINALLY 3" OR LARGER AND HAVING MINIMUM WEB AND FLANGE THICKNESS OF 0.25. THE MINIMUM CHANNEL MEETING THIS SPECIFICATION IS C3X5 (3" NOMINAL, 5 LBS./FT. WEIGHT).

NOTE: IF CONDUIT IS FILLED WITH ICE AND WATER AN ADDITIONAL CHARGE WILL BE ADDED.



MAIN BREAKER

SCHD 80

5'-6"

2' (Min.)

2'-6" (Min.)

24" RADIUS (MIN.) SCHD 40

SCHD 40. THIS CONDUIT SHALL HAVE PULL ROPE (MINIMUM 1/4") INSTALLED.

SERVICE CABLE SIZE SELECTED BY YVEA	CONDUIT SIZE
#4/0 or #1/0	3"
#4/0 OR 350 kcmil	3"